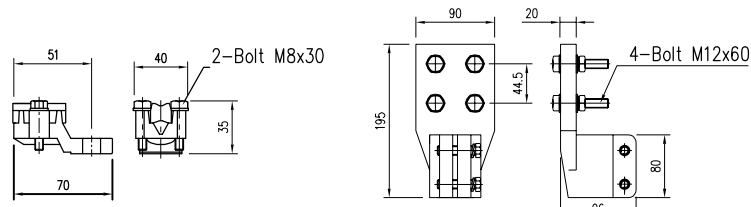
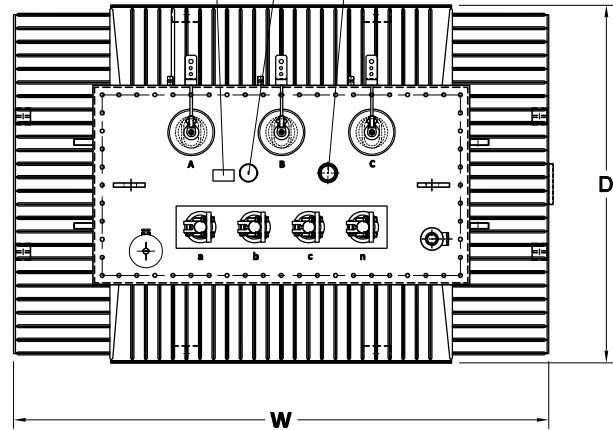
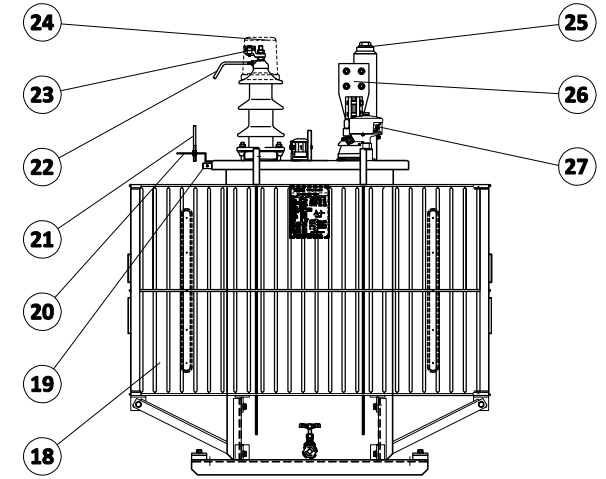
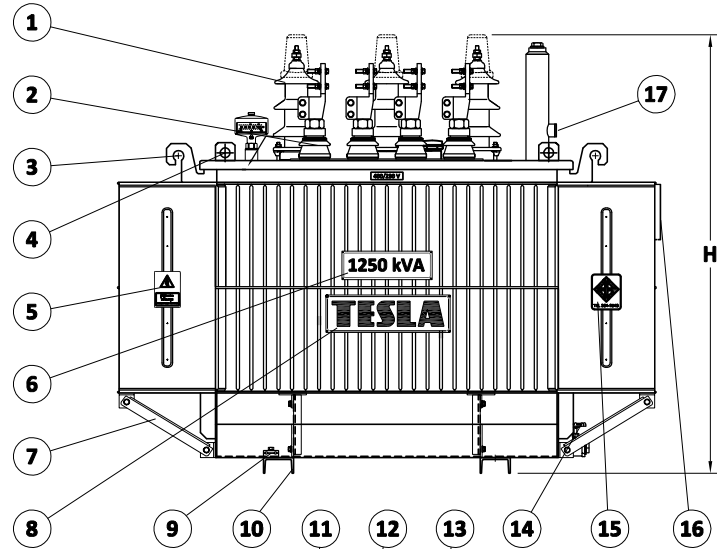


| Technical Data of Oil-immersed Transformer Hermetically Sealed Type | |
|--|----------------------------|
| Model (ordering code) | : OTC035-22K-1250K-A |
| Reference standard | : IEC 60076 , TIS 384-2543 |
| Ratings | |
| Rated power | : 1250 (kVA) |
| Number of phases | : 3 (Ø) |
| Rated frequency | : 50 (Hz) |
| Rated primary voltage (± 2x2.5%) | : 22000 (V) |
| Rated secondary voltage | : 400 / 230 (V) |
| Rated primary current | : 32.80 (A) |
| Rated secondary current | : 1804 (A) |
| Insulation class | : A (105) (°C) |
| Connection symbol | : Dyn11 |
| Service conditions and installation | |
| Ambient temperature | : 40 (°C) |
| Altitude (above sea level) | : ≤ 1000 (m) |
| Type of cooling | : ONAN |
| Installation method | : Outdoor |
| Performance of transformer at 75°C | |
| No load loss | : 1800 (W) |
| Load loss | : 16000 (W) |
| Short-circuit impedance | : 6.0 (%) |
| Efficiency at 50% of rated power (P.F.= 1.0) | : 99.09 (%) |
| Efficiency at 100% of rated power (P.F.= 1.0) | : 98.60 (%) |
| Voltage regulation at full load (P.F.= 1.0) | : 1.45 (%) |
| Sound level | : 60 (dB(A)) |
| Max. Temperature rise of top oil at full load | : 60 (K) |
| Max. Temperature rise of winding at full load | : 65 (K) |
| Type of HV & LV windings conductor | : Copper |
| Type of insulating liquid and cooling liquid | : Mineral oil |
| Routine tests | |
| Measurement of insulation resistance | |
| Measurement of winding resistance (IEC 60076-1) | |
| Measurement of voltage ratio and check of phase displacement (IEC 60076-1) | |
| Measurement of no-load loss and no-load current (IEC 60076-1) | |
| Measurement of load loss (IEC 60076-1) | |
| Measurement of short-circuit impedance (IEC 60076-1) | |
| Induced overvoltage withstand test (IEC 60076-1) and (IEC 60076-3) | |
| Applied voltage test (IEC 60076-1) and (IEC 60076-3) | |
| Oil dielectric Breakdown voltage test (IEC 60156) | |
| Physical leakage test (with overpressure 5 psi) | |
| Type tests | |
| Partial Discharge (PD) test (IEC 60076-3) | |
| Lightning impulse (LI) test (IEC 60076-3) | |
| Temperature-rise test (IEC 60076-2) | |



High voltage terminal

Low voltage terminal

| No. | Description | No. | Description |
|-----|---------------------------------|-----|--------------------------------------|
| 1 | High voltage bushing | 15 | TIS. 384-2543 sign |
| 2 | Low voltage bushing | 16 | Nameplate |
| 3 | Lifting lugs | 17 | Oil level gauge |
| 4 | Lifting eyes | 18 | Corrugated radiators |
| 5 | Danger high voltage sign | 19 | Earthing terminal for surge arrester |
| 6 | Capacity sign | 20 | Bracket for surge arrester |
| 7 | Supported devices for radiators | 21 | Earthing terminal for arcing horn |
| 8 | Trade mark sign | 22 | Arcing horn |
| 9 | Earthing terminal | 23 | High voltage terminal (see details) |
| 10 | Foundations of transformer | 24 | Bird guard cap |
| 11 | Instruction for tap changer | 25 | Oil filling plug |
| 12 | Off-load tap changer | 26 | Low voltage terminal (see details) |
| 13 | Pressure relief device | 27 | Thermometer with dual contacts |
| 14 | Oil drain valve | | |

| Approximate overall dimensions, oil quantity and weight | | | | |
|---|--------|--------|----------------------|-------------------|
| W (mm) | D (mm) | H (mm) | Oil quantity (Litre) | Total weight (kg) |
| 1810 | 1240 | 1450 | 615 | 2780 |



TESLA POWER CO.,LTD.

Tel. : (66) 0-2420-9065

Fax. : (66) 0-2431-0256

Website : www.teslapower.co.th

Email. : info@teslapower.co.th

