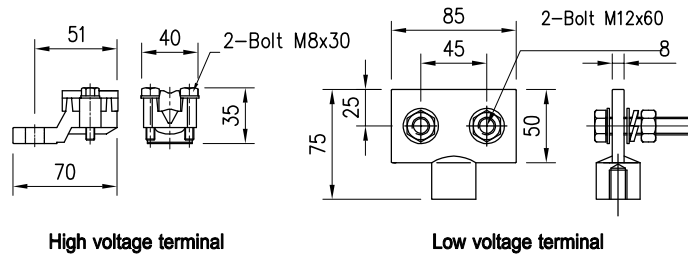
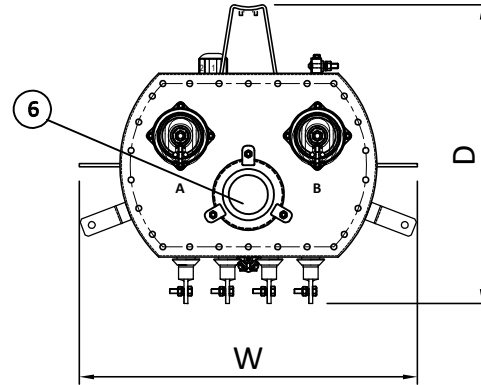
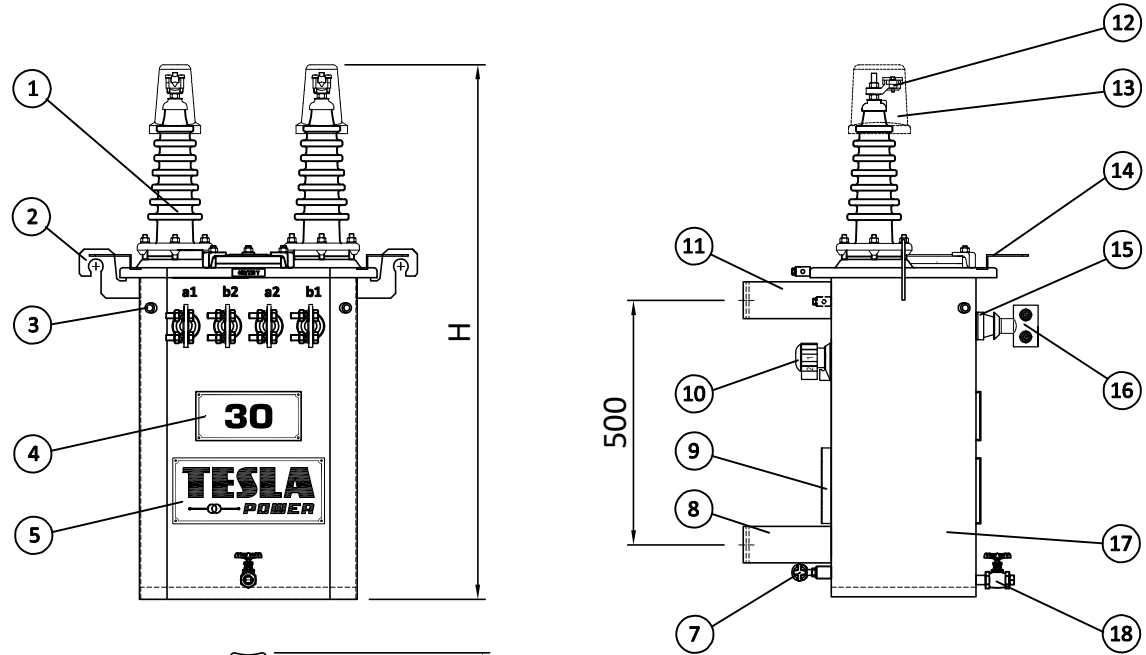


Technical Data of LOW PD Oil-immersed Transformer Hermetically Sealed Type	
Model (ordering code)	: OTCO15-22K-0030K-F
Reference standard	: IEC 60076 , TIS 384-2543
Ratings	
Rated power	: 30 (kVA)
Number of phase	: 1 (Ø)
Rated frequency	: 50 (Hz)
Rated primary voltage ($\pm 2 \times 2.5\%$)	: 22000 (V)
Rated secondary voltage	: 480 / 240 (V)
Rated primary current	: 1.36 (A)
Rated secondary current	: 62.5 / 125 (A)
Insulation class	: A (105) (°C)
Polarity	: Subtractive
Service conditions and installation	
Ambient air temperature	: ≤ 50 (°C)
Altitude (above sea level)	: ≤ 1000 (m)
Type of cooling	: ONAN
Installation method	: Outdoor
Performance of transformer at 75°C	
No load loss	: ≤ 120 (W)
Load loss	: ≤ 430 (W)
Short-circuit impedance	: 2.0 (%)
Efficiency at 50% of rated power (P.F.= 1.0)	: 98.51 (%)
Efficiency at 100% of rated power (P.F.= 1.0)	: 98.20 (%)
Voltage regulation at full load (P.F.= 1.0)	: 1.44 (%)
Sound level	: 48 (dB(A))
Max. Temperature rise of top oil at full load	: 50 (K)
Max. Temperature rise of winding at full load	: 55 (K)
Material of winding conductor	: Copper
Type of insulating liquid	: Mineral oil
Routine tests	
Measurement of insulation resistance	
Measurement of winding resistance (IEC 60076-1)	
Measurement of voltage ratio and check of phase displacement (IEC 60076-1)	
Measurement of no-load loss and no-load current (IEC 60076-1)	
Measurement of load loss (IEC 60076-1)	
Measurement of short-circuit impedance (IEC 60076-1)	
Induced overvoltage withstand test (IEC 60076-1) and (IEC 60076-3)	
Applied voltage test (IEC 60076-1) and (IEC 60076-3)	
Oil dielectric Breakdown voltage test (IEC 60156)	
Physical leakage test (with overpressure 5 psi)	
Type tests	
Partial Discharge (PD) test (IEC 60076-3)	
Full wave lightning impulse test (IEC 60076-1 and IEC 60076-3)	
Temperature-rise test (IEC 60076-2)	



No.	Description	No.	Description
1	High voltage bushing	10	Off-load tap changer
2	Lifting lugs	11	Upper support lug
3	Earthing terminal for surge arrester	12	High voltage terminal
4	Capacity sign	13	Bird guard cap
5	Trade mark sign	14	Bracket for surge arrester
6	Hand hole	15	Low voltage bushing
7	Earthing terminal	16	Low voltage terminal
8	Lower support lug	17	Transformer tank
9	Nameplate	18	Oil drain valve

Approximate overall dimensions, oil quantity and weight				
W (mm)	D (mm)	H (mm)	Oil quantity (Litre)	Total weight (kg)
670	610	1090	45	235



TESLA POWER CO.,LTD.

Tel. : (66) 0-2420-9065

Fax. : (66) 0-2431-0256

Website : www.teslapower.co.th

Email. : info@teslapower.co.th

