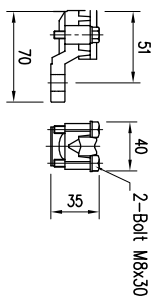
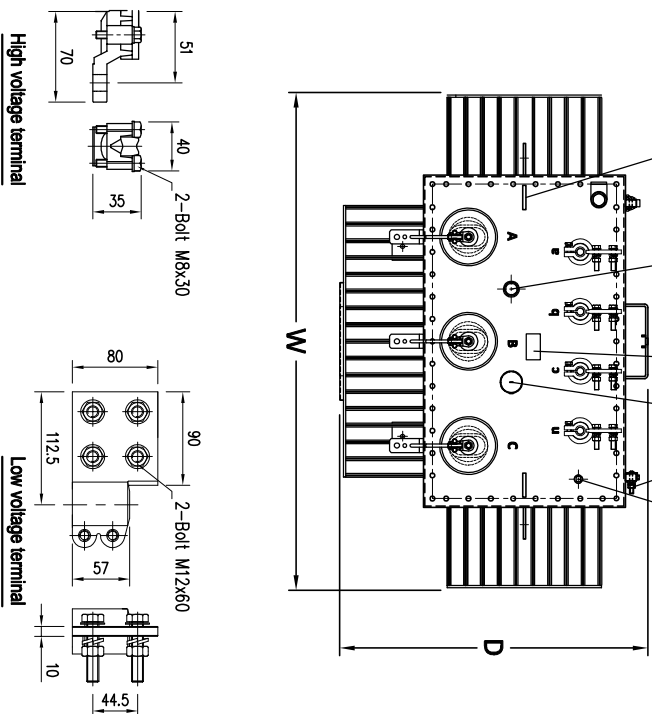
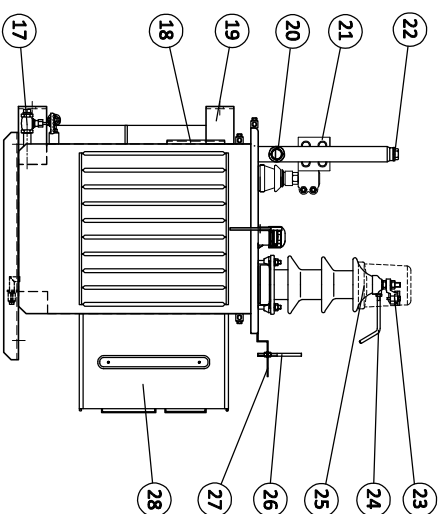
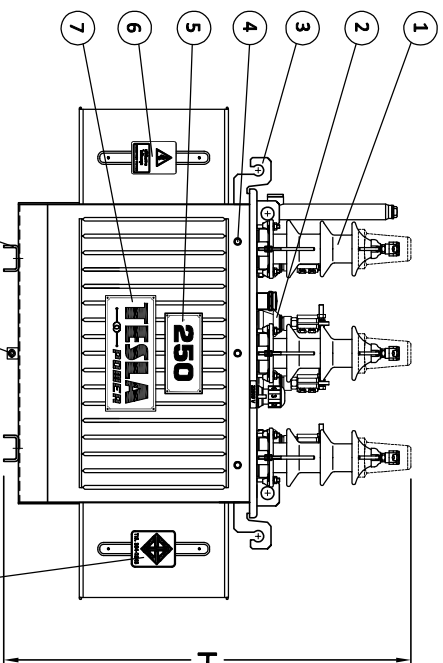
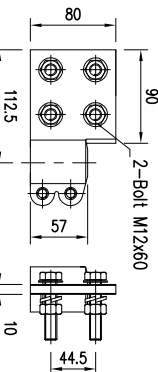


Technical Data of LOW PD Oil-immersed Transformer  
Hermetically Sealed Type

Model (ordering code)	: OTCO35-22K-0250K-D
Reference standard	: IEC 60076, TIS 384-25/43
<b>Rated power</b>	: 250 (kVA)
Number of phases	: 3 (Ø)
Rated frequency	: 50 (Hz)
Rated primary voltage (±2.2-5%)	: 22000 (V)
Rated secondary voltage	: 416/240 (V)
Rated primary current	: 6.56 (A)
Rated secondary current	: 347 (A)
Insulation class	: A (105) (°C)
Connection symbol	: Dyn11
<b>Service conditions and installation</b>	
Ambient temperature	: ≤ 50 (°C)
Altitude (above sea level)	: ≤ 1000 (m)
Type of cooling	: ONAN
Installation method	: Outdoor
<b>Performance of transformer at 75°C</b>	
No load loss	: ≤ 360 (W)
Load loss	: ≤ 2750 (W)
Short-circuit impedance	: 4.0 (%)
Efficiency at 50% of rated power (P <sub>F</sub> = 1.0)	: 99.17 (%)
Efficiency at 100% of rated power (P <sub>F</sub> = 1.0)	: 98.77 (%)
Voltage regulation at full load (P <sub>F</sub> = 1.0)	: 1.10 (%)
Sound level	: 51 (dB(A))
Max. Temperature rise of top oil at full load	: 50 (K)
Max. Temperature rise of winding at full load	: 55 (K)
Material of winding conductor	: Copper
Type of insulating liquid	: Mineral oil
<b>Routine tests</b>	
Measurement of insulation resistance	
Measurement of winding resistance (IEC 60076-1)	
Measurement of voltage ratio and check of phase displacement (IEC 60076-1)	
Measurement of no-load loss and no-load current (IEC 60076-1)	
Measurement of load loss (IEC 60076-1)	
Measurement of short-circuit impedance (IEC 60076-1)	
Induced overvoltage withstand test (IEC 60076-1) and (IEC 60076-3)	
Applied voltage test (IEC 60076-1) and (IEC 60076-3)	
Oil dielectric Breakdown voltage test (IEC 60156)	
Physical leakage test (with overpressure 5 psi)	
<b>Type tests</b>	
Partial Discharge (PD) test (IEC 60076-3)	
Lightning impulse (LI) test (IEC 60076-3)	
Temperature-rise test (IEC 60076-2)	



High voltage terminal



Low voltage terminal

No.	Description	No.	Description
1	High voltage bushing	15	Thermometer pocket
2	Low voltage bushing	16	TIS 384-25/43 sign
3	Lifting lugs	17	Oil drain valve
4	Earthing terminal for surge arrester	18	Nameplate
5	Capacity sign	19	Support lugs (spacing 500 mm.)
6	Danger high voltage sign	20	Oil level gauge
7	Trade mark sign	21	Low voltage terminal (see details)
8	Lifting eyes	22	Oil filling plug
9	Foundations of transformer	23	High voltage terminal (see details)
10	Pressure relief device	24	Arcing horn
11	Sludge drain plug	25	Bird guard cap
12	Instruction for tap changer	26	Earthing terminal for arcing horn
13	Offload tap changer	27	Bracket for surge arrester
14	Earthing terminal	28	Corrugated radiators

Approximate overall dimensions, oil quantity and weight			
W (mm)	D (mm)	H (mm)	Oil quantity (litre)
1340	830	1100	180
			Total weight (kg)
			1020



TESLA POWER CO.,LTD.

Tel. : (66) 0-2420-9065

Fax. : (66) 0-2431-0256

Website : [www.teslapower.co.th](http://www.teslapower.co.th)

Email : [info@teslapower.co.th](mailto:info@teslapower.co.th)

